



QUALITY FOOD SERVICE EQUIPMENT

SPECIFICATION SHEET

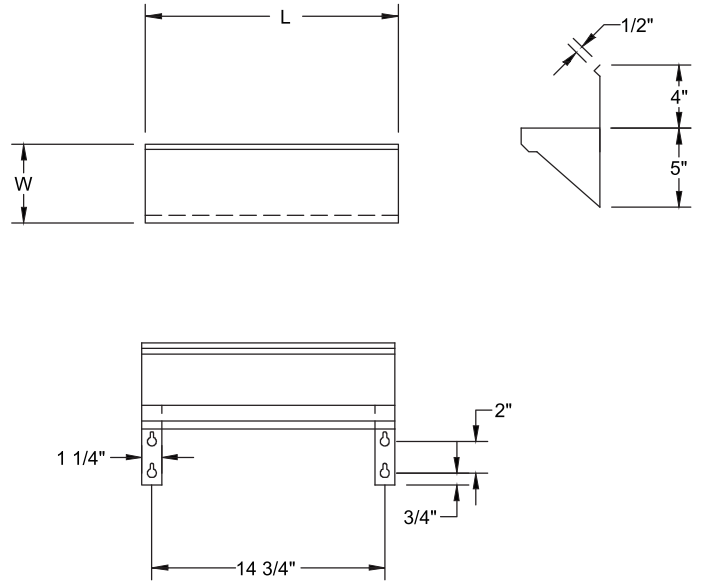
Model #:	_____	Qty:	_____
Project #:	_____		
Consultant:	_____		

LAVATORY SHELF

4" backsplash



DIMENSIONS



MATERIAL

- ◆ 16GA 300 stainless steel

FEATURES

- ◆ Wall mounted shelf
- ◆ Includes brackets & mounting hardware

Model#	Length	Width
WS-16LSR	16"	5"
WS-18LSR	18"	5"
WS-24LSR	24"	5"
WS-36LSR	36"	5"
WS-48LSR	48"	5"

(609) 642-8389 | sales@nbrequipment.com | www.nbrequipment.com